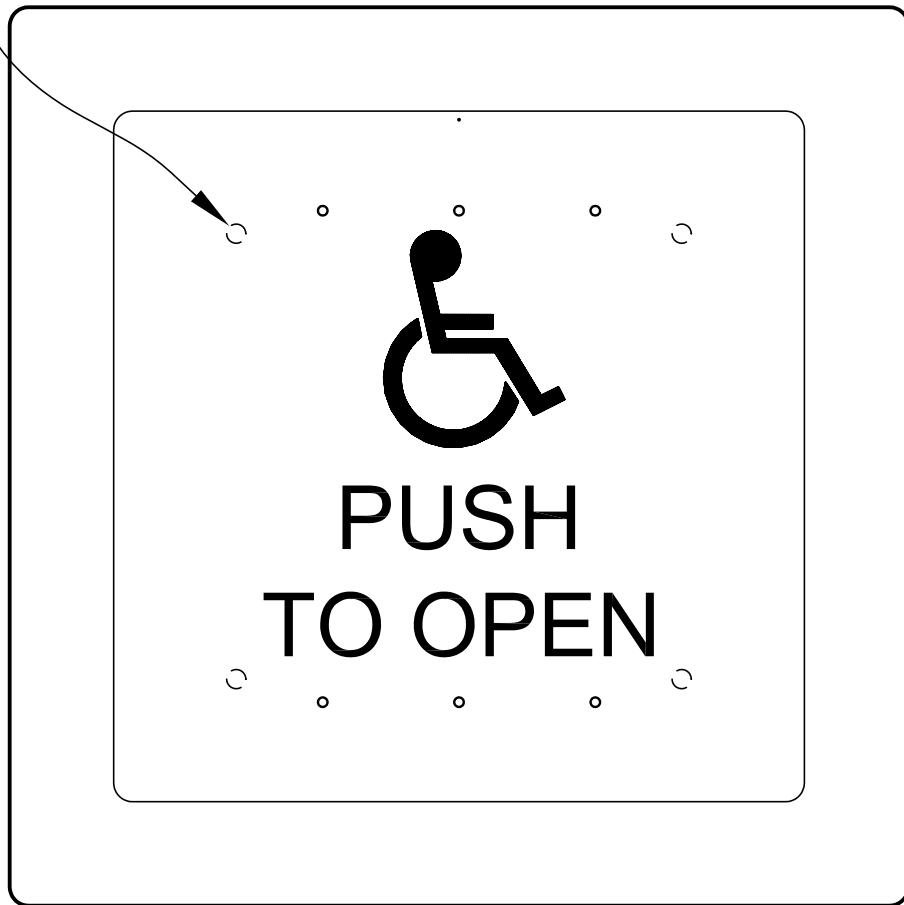
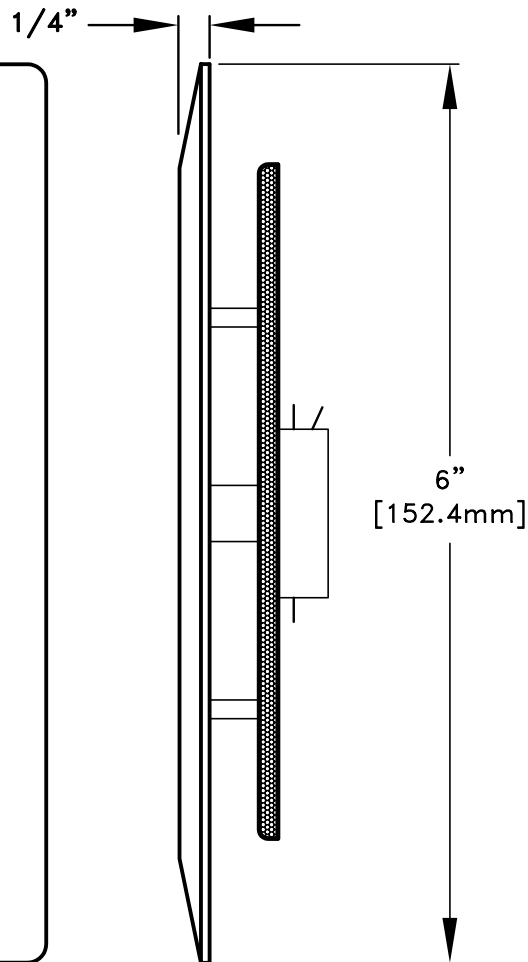


OPTIONAL HOLE PATTERN FOR MOUNTING  
TO '4S' 4" SQUARE JUNCTION BOX.



**FRONT**



**SIDE**

CONFIGURATIONS:	LOW VOLTAGE (STD) OR RADIO CONTROLLED (SUFFIX -RC)
MATERIALS/FINISHES:	STAINLESS STEEL: SATIN (STANDARD) OR MIRROR POLISHED BRASS: MIRROR POLISHED, OIL RUBBED OR SATIN ALUMINUM: BLUE ANODIZED
CONSTRUCTION:	BACK PLATE MOUNTS TO SINGLE OR DOUBLE-GANG BOX OPTIONAL CORNER HOLES FOR '4S' BOX MOUNTING NOISE DAMPENING RUBBER CUSHIONING WASHERS
COLOR OF LOGO/LETTERS:	BLUE (with logo), BLACK (without logo), OTHERS AVAILABLE
SWITCH:	UL/CSA LISTED SPDT (DPDT AVAILABLE)

This drawing and information is the property of Curran Engineering Co., Inc. and is considered confidential. It may not be reproduced or copied without written permission of CURRAN ENGINEERING CO., INC. © 2003, CURRAN ENGINEERING COMPANY, INC.

MATERIAL: <b>STAINLESS STEEL</b>		FINISH: <b>#4 SATIN</b>	SIZE: <b>18 GA (0.047)</b>			
DIMENSIONAL TOLERANCES UNLESS NOTED OTHERWISE			TITLE			
FRAC.	DEC.	ANG.	<b>PUSH PLATE</b> <b>6" SQUARE - PTO &amp; LOGO</b>			
±1/32"	±0.031"	± 1°				
SCALE <b>NTS</b>			CURRAN ENGINEERING COMPANY, INC. 28727 INDUSTRY DRIVE VALENCIA, CA 91355 TELEPHONE (800) 643-6353 FACSIMILE (818) 782-5979			
NO. REQ. <b>A/R</b>		DRAWN: <b>PSC</b>	DATE <b>04/21/03</b>	SIZE	DRAWING NUMBER	ISSUE
NEXT ASSY. <b>645-BOM</b>		CHECKED: <b>RDC</b>	DATE <b>04/21/03</b>	<b>A</b>	<b>10352 CE-645</b>	<b>1</b>
		APPROVED: <b>RDC</b>	DATE <b>04/21/03</b>			