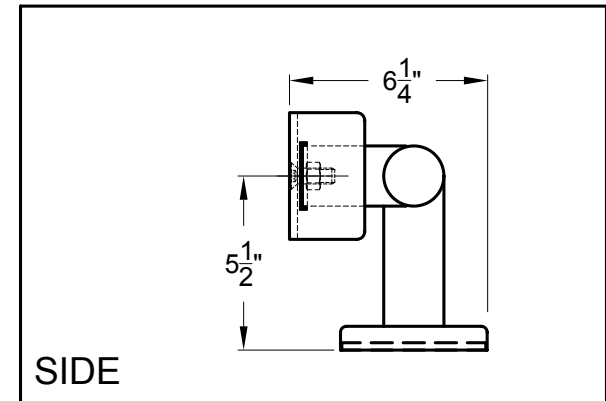
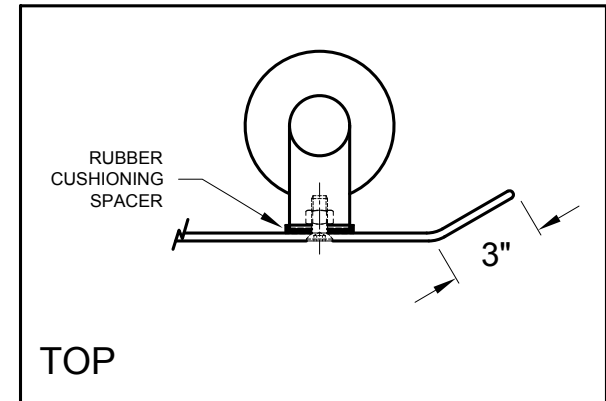
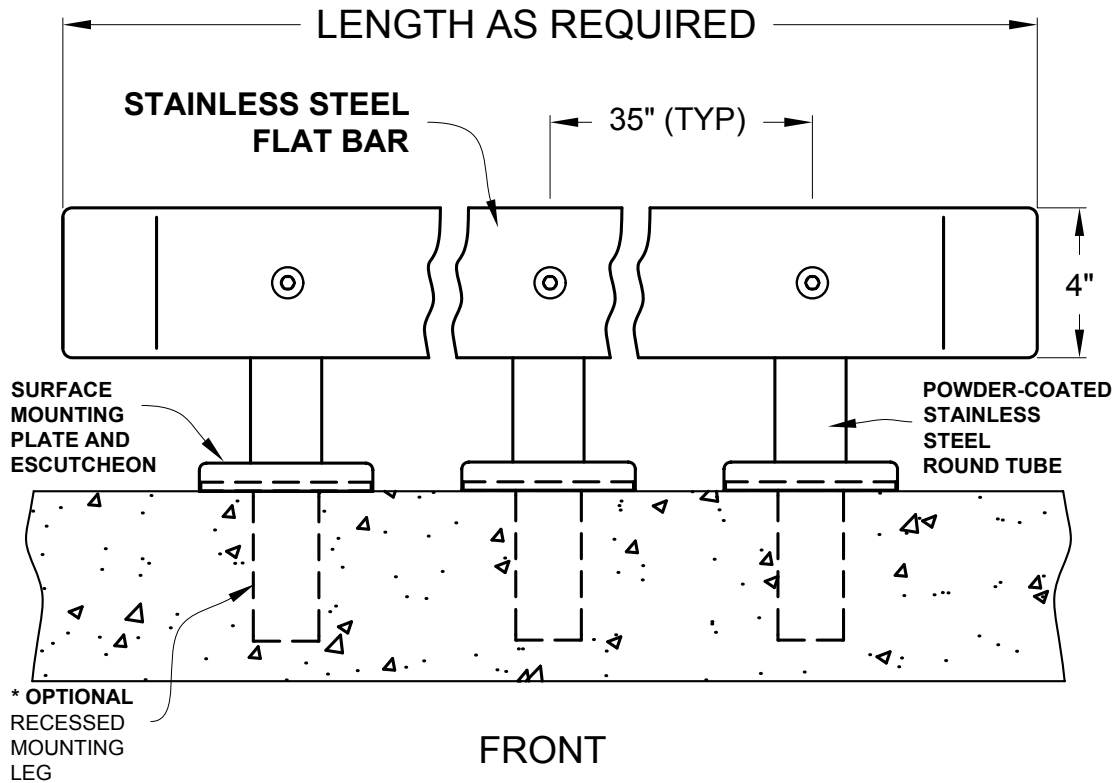


FLOOR CART RAIL

CE-10-520



GENERAL NOTES

- MATERIAL:** 304 Alloy Stainless Steel BAR and TUBE
- FINISH:** BAR: Satin Polish
TUBE: Silver, Dark Bronze or Champagne Powder Coat (Custom Finishes Also Available)
- INSTALLATION:** Surface Mounting with Welded Floor Plates and Anchors
Escutcheons are Included
- * Optional Core Drill and Embed 4" Deep with Non-Shrink Grout

CURRAN ENGINEERING COMPANY, INC.
28727 INDUSTRY DRIVE
VALENCIA, CA 91355
TELEPHONE (800) 643-6353
FACSIMILE (877) 782-5979

DRAWING NUMBER

10289-A
CE-10-520